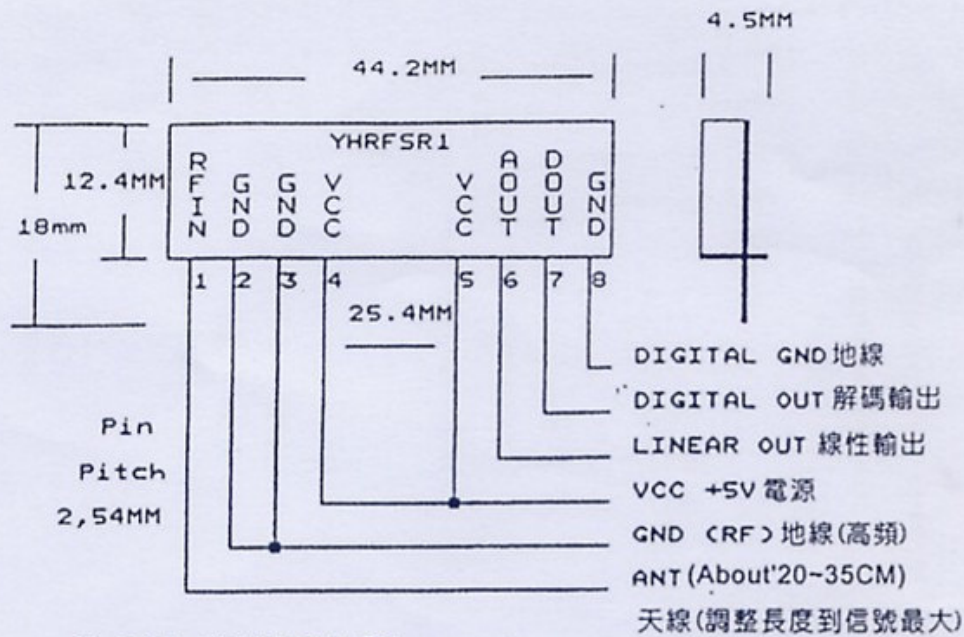


SHY-J6122TR模阻

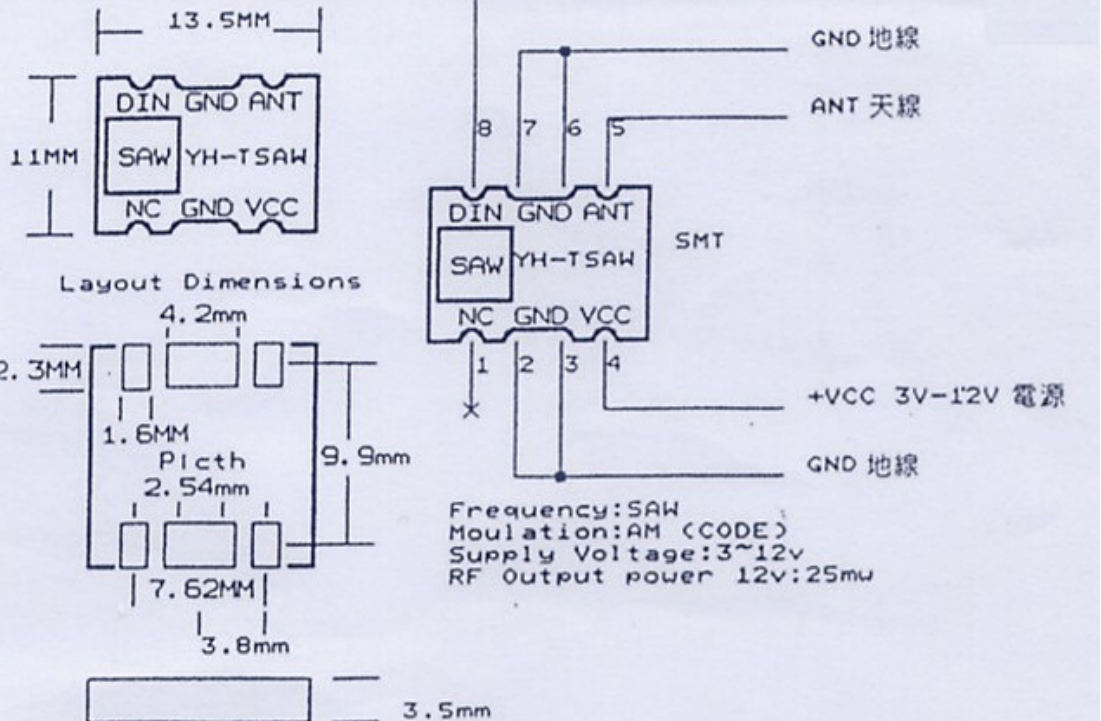
SHY-RSD1 ASK Receiver 接收



Supply Voltage: +5V
 Frequency: 300-450MHZ Band
 Modulation: AM
 Sensitivity: -103DBM
 Application: Wireless Remote Control
 : Automotive pt: Home Automation
 : Alarm and security systems

SHY-TSAW ASK Transmit (發射)

SMD Type



Transmit

Receiver

