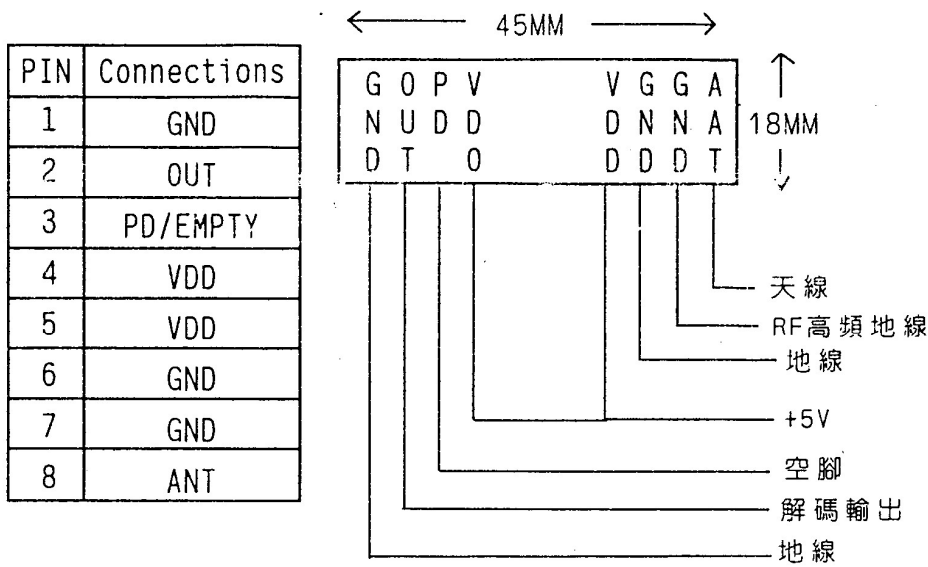


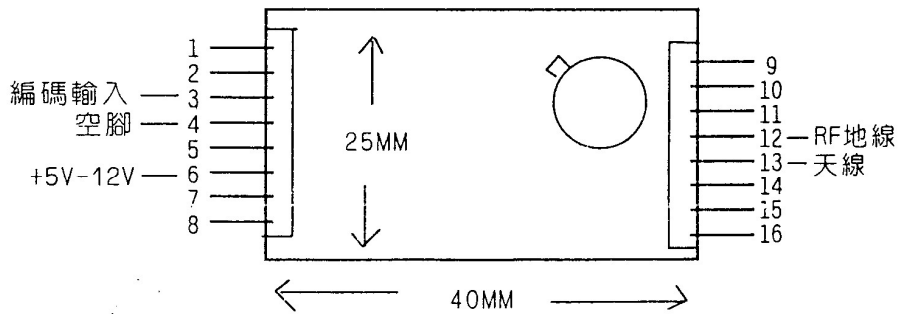
SHY-W7122 大功率模阻

汽車用特殊超外差接收器

Receiver 超外差



Transmit 大功率



Connections	.PIN	
DATAIN	3	編碼輸入
GND	1,2,5,7,8,9,10 11,12,14,15,16	地線
Vcc	6	+5V-12V
ANT	13	天線
Open	4	空腳

SHY-W7122大功率模组

TX MODULE

A.GENERAL DESCRIPTION

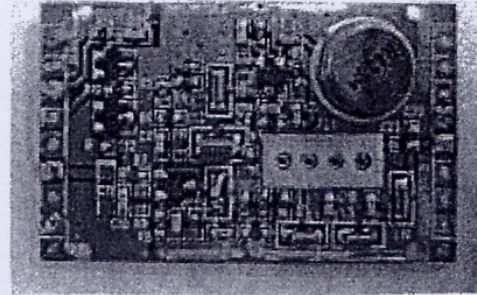
Radio transmitter module with Saw Resonator and External Antenna. The TXA2-434 MHz is a hybrid circuit that allows to realize a complete radio transmitter adding a coding circuit.

B.APPLICATION

- Home security systems
- Car alarm
- Remote gate control
- Sensor reporting

C.ELECTRICAL CHARACTERISTICS:

PARAMETER	Units	Minimum	Typical	Maximum
TRANSMIT FREQUENCY	MHz		433.92	
MODULATION			ASK	
OUTPUTPOWER at 5V	dBm		12	
DATA RATE	KHz		3	
FREQUENCY TOLERANCE	KHz		+/-75	
TEMP.RANGE	°C	-20		85
POWER SOURCE	Voltage	3	5	12
POWER CONSUMPTION at 5V	mA		55	



RX MODULE

- ◎Ideal for 315/434MHz Remote Keyless-Entry Receives.
- ◎Phase-Locked loop Feature
- ◎High sensitivity typically exceeds-110dB

General description

The RXA6 is a miniature receiver module that receives On-off keyed(OOK)modulation signal and demodulated to digital signal for the next decoder stage.Local Oscillator is made of PLL structure..The result is excellent performance in a simple-to-use.

The RXA6 is designed specifically for unlicensed remote-control and wireless security receiver operating at 315/434 MHz in the USA under FCC part 15 regulation

Application

- Home security systems
- Car Alarm systems
- Remote gate controls
- Sensor reporting

1

A.SPECIFICATION

ITEM NO	PARAMETER	DESCRIPTION	VALUE		
			MIN	TYP	MAX
1	SENSITIVITY	Vcc=5.0V,TA-27°C BER=3/100,1Kdps	315MHz -112dB 434MHz -110dB		
2	MODULATION			ASK	
3	POWER SUPPLY		4.75V	5V	5.25V
4	SUPOPLY CURRENT			6mA	7mA
5	DATA RATE		300dps	1Kdps	4Kdps
6	OPERATING TEMPERATURE		-20°C		+60°C

